



Battery Box

FBBEVODS240/XX Type

User's Manual

Index

1	Safety Warnings	1
1.1	Product Disposal	1
1.2	Lead Batteries.....	1
2	Mechanical Drawings	2
3	FBBEVODS240/07-09-11	3
4	FBBEVODS240/14-18-22	5
5	FBBEVODS240/21-27-33	7
6	Connections with the UPS	9

© Copyright 2011 TECNOWARE s.r.l. All rights reserved.
All trademarks are property of their respective owners.

TECNOWARE s.r.l.
Via Montetrini, 2E - Molino del Piano - Florence - Italy
www.tecnoware.com

This manual has been printed and edited by TECNOWARE s.r.l.
April 2011 edition - version 1.1

1 Safety Warnings



Risk of electric shock: if all the batteries are connected, inside the Battery Box there are internal parts which are at a high Voltage and are potentially dangerous, capable of causing injury or death by electric shock.

Any repair or maintenance work must be performed exclusively by qualified technical personnel authorized by TECNOWARE. TECNOWARE declines any responsibility if this warning is disregarded.

Battery fuses shall only be replaced with fuses of same rating or equivalent.



Danger of explosion and fire if the batteries of the wrong type or number are used.

Do not dispose of batteries in a fire. The batteries may explode. Do not open or mutilate batteries. Released electrolyte is harmful to the skin and eyes. It may be toxic

The Battery Box is compliant with the European Community directives. Hence it is marked:



1.1 Product Disposal

This Battery Box cannot be disposed as an urban waste, but must be treated as a separate waste. Any violation is indictable with financial sanctions as per in force regulations.

An incorrect waste disposal or an improper use of the same or of any parts can be damaging for the environment and for human health.

A correct waste disposal of products having the dustbin symbol marked by a cross help to avoid negative consequences to the environment and to human health.



1.2 Lead Batteries

The Battery Box may contain lead acid, sealed, maintenance free batteries.

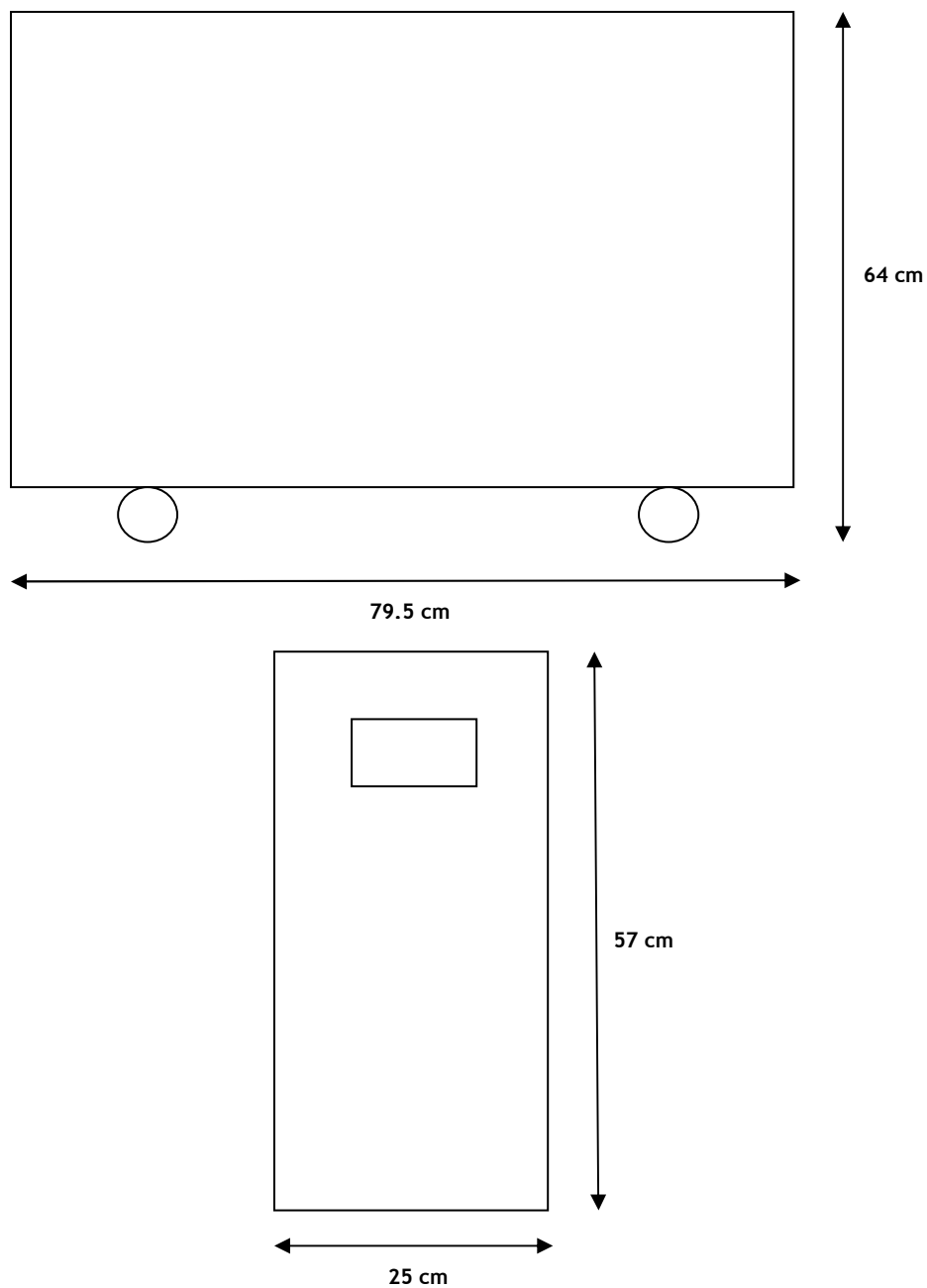
This kind of batteries, if handled by non-experienced personnel, can cause electric shock or short-circuit.

For this reason the batteries can be removed only by qualified technical personnel, specialized and authorized by Tecnoware. Tecnoware declines any responsibilities if this rule is not followed.

The batteries cannot be disposed as an urban waste, but must be treated in conformity with 2006/66/CE European Directive; any violation is indictable with financial sanctions as established into 2006/66/CE European Directive.



2 Mechanical Drawings



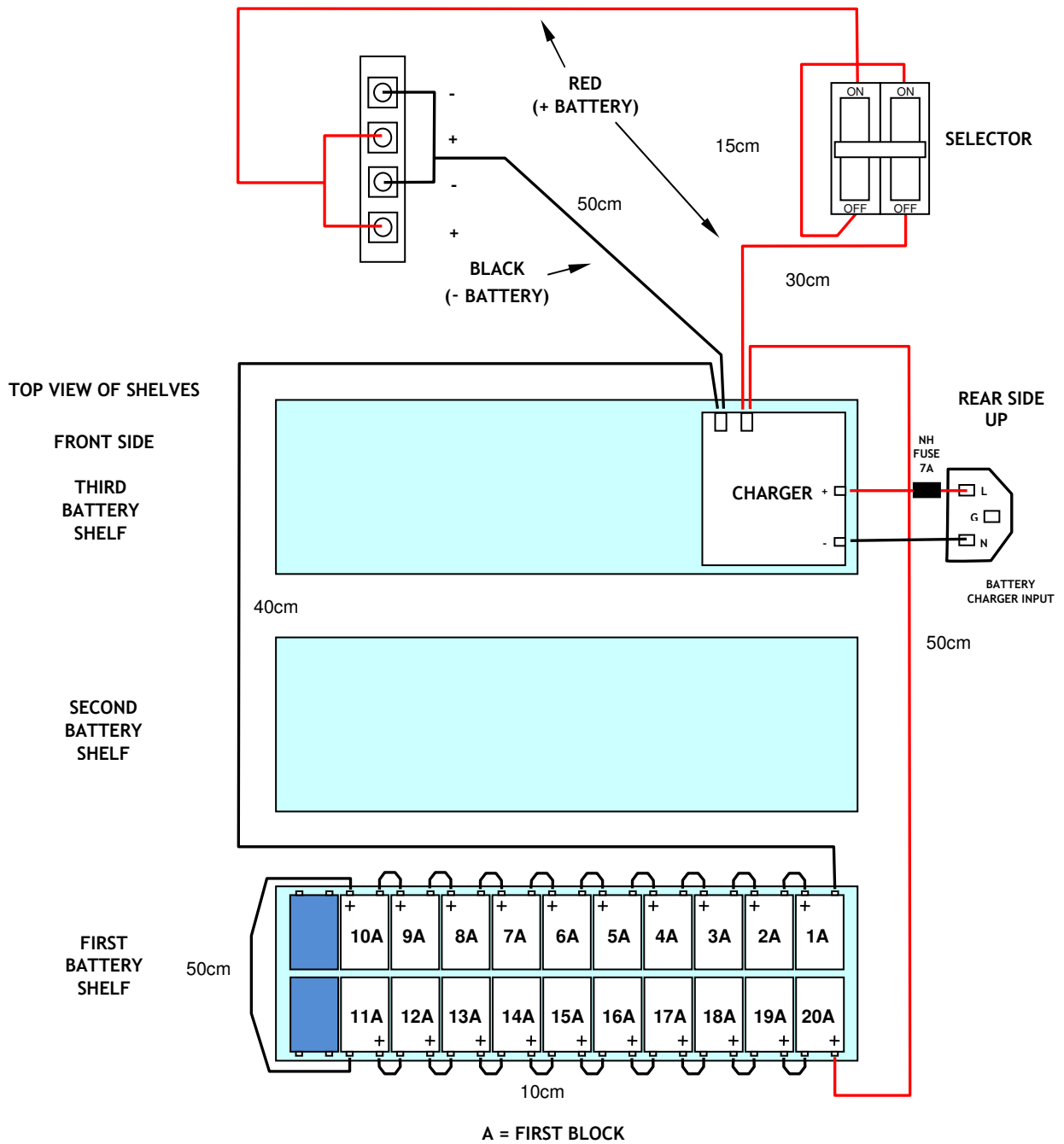
Dimension (W x H x D)	(25 x 57 x 79.5) cm		
Net Weight without Batteries	35 Kg		
Batteries Number	20	40	60
Net Weight with Batteries 7Ah	85 Kg	125 Kg	165 Kg
Net Weight with Batteries 9Ah	90 Kg	135 Kg	185 Kg
Net Weight with Batteries 11Ah	95 Kg	145 Kg	195 Kg

3 FBBEVODS240/07-09-11

BOX BATTERY MODELS				
Box Battery Code	Description	Battery Capacity	Cables Section	Breaker Max Current
FBBEVODS240/07	Battery Box Compatible with UPS EVO DSP MM/MM	7Ah	6 mm ²	50 A
FBBEVODS240/09		9Ah	6 mm ²	50 A
FBBEVODS240/11		11Ah	6 mm ²	50 A

BATTERIES	
Battery Type	Lead acid, sealed, free maintenance, 12 Vdc
Battery Number	1 x 20
Nominal Battery Voltage	240 Vdc

ENVIRONMENTAL CONDITIONS	
Storage Temperature Range	-25 °C to +55 °C (15 °C to 40 °C recommended for longer Battery life)
Operating Temperature Range	0 °C to +40 °C (20 °C to 25 °C recommended for longer Battery life)
Relative Humidity Range	0% - 95% (non condensing)
Max. Altitude without Derating	3000 meters

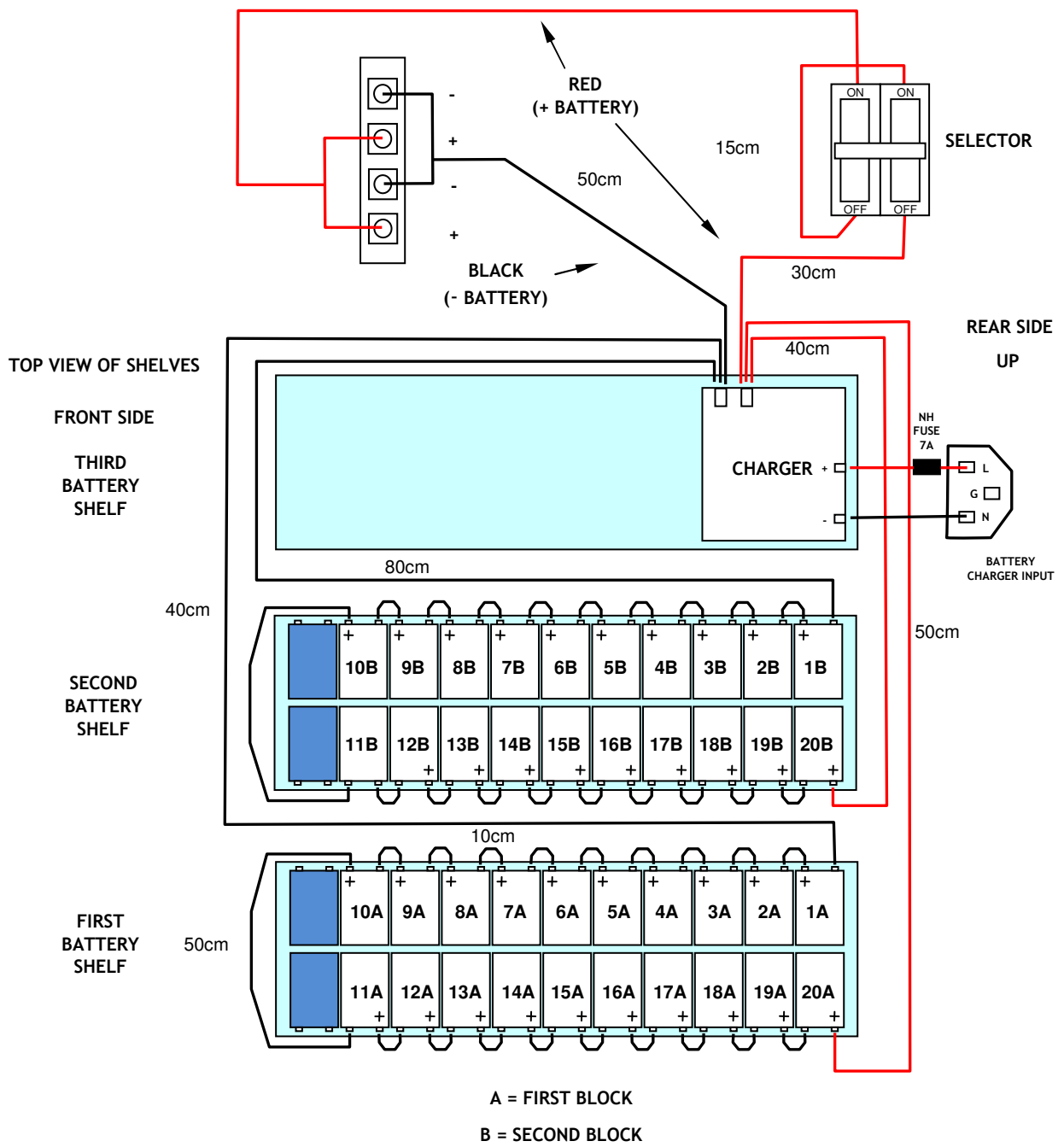


4 FBBEVODS240/14-18-22

BOX BATTERY MODELS				
Box Battery Code	Description	Battery Capacity	Cables Section	Breaker Max Current
FBBEVODS240/14	Battery Box Compatible with UPS EVO DSP MM/MM	7Ah	6 mm ²	50 A
FBBEVODS240/18		9Ah	6 mm ²	50 A
FBBEVODS240/22		11Ah	6 mm ²	50 A

BATTERIES	
Battery Type	Lead acid, sealed, free maintenance, 12 Vdc
Battery Number	2 x 20
Nominal Battery Voltage	240 Vdc

ENVIRONMENTAL CONDITIONS	
Storage Temperature Range	-25 °C to +55 °C (15 °C to 40 °C recommended for longer Battery life)
Operating Temperature Range	0 °C to +40 °C (20 °C to 25 °C recommended for longer Battery life)
Relative Humidity Range	0% - 95% (non condensing)
Max. Altitude without Derating	3000 meters

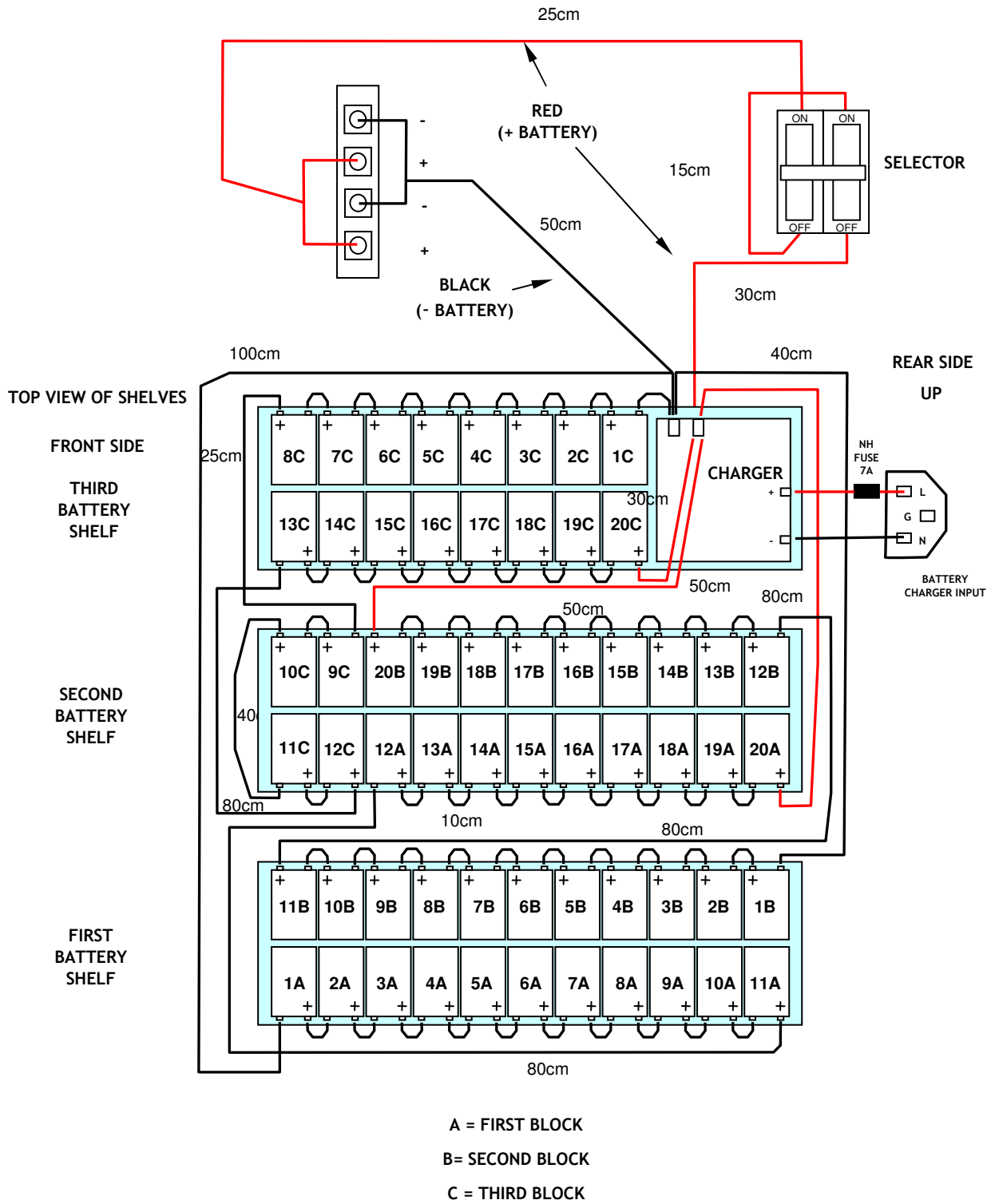


5 FBBEVODS240/21-27-33

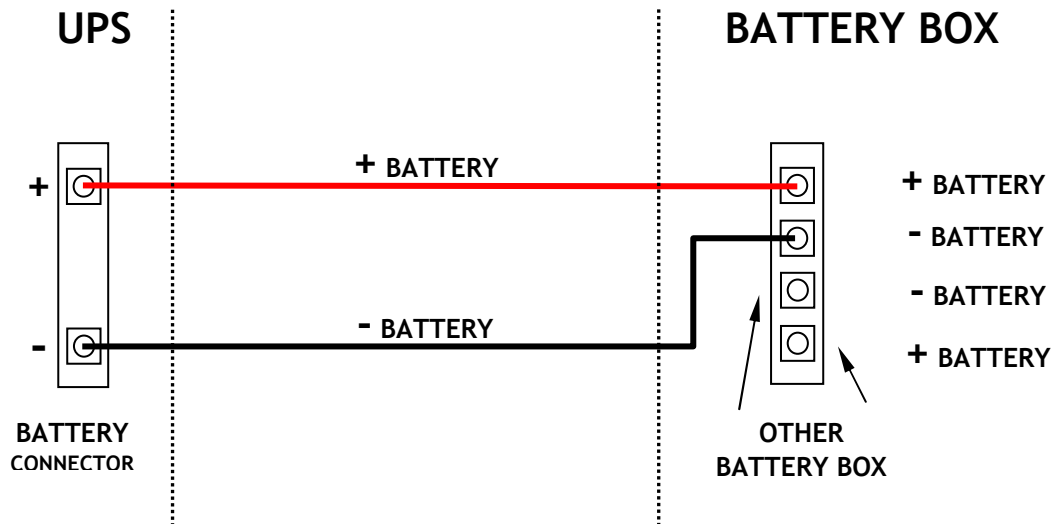
BOX BATTERY MODELS				
Box Battery Code	Description	Battery Capacity	Cables Section	Breaker Max Current
FBBEVODS240/21	Battery Box Compatible with UPS EVO DSP MM/MM	7Ah	6 mm ²	50 A
FBBEVODS240/27		9Ah	6 mm ²	50 A
FBBEVODS240/33		11Ah	6 mm ²	50 A

BATTERIES	
Battery Type	Lead acid, sealed, free maintenance, 12 Vdc
Battery Number	3 x 20
Nominal Battery Voltage	240 Vdc

ENVIRONMENTAL CONDITIONS	
Storage Temperature Range	-25°C to +55°C (15°C to 40°C recommended for longer Battery life)
Operating Temperature Range	0°C to +40°C (20°C to 25°C recommended for longer Battery life)
Relative Humidity Range	0% - 95% (non condensing)
Max. Altitude without Derating	3000 meters



6 Connections with the UPS





TECNOWARE s.r.l.
www.tecnoware.com